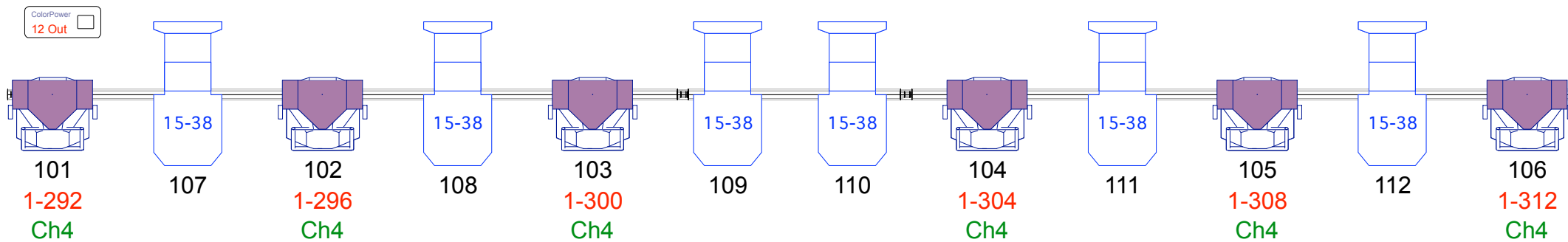
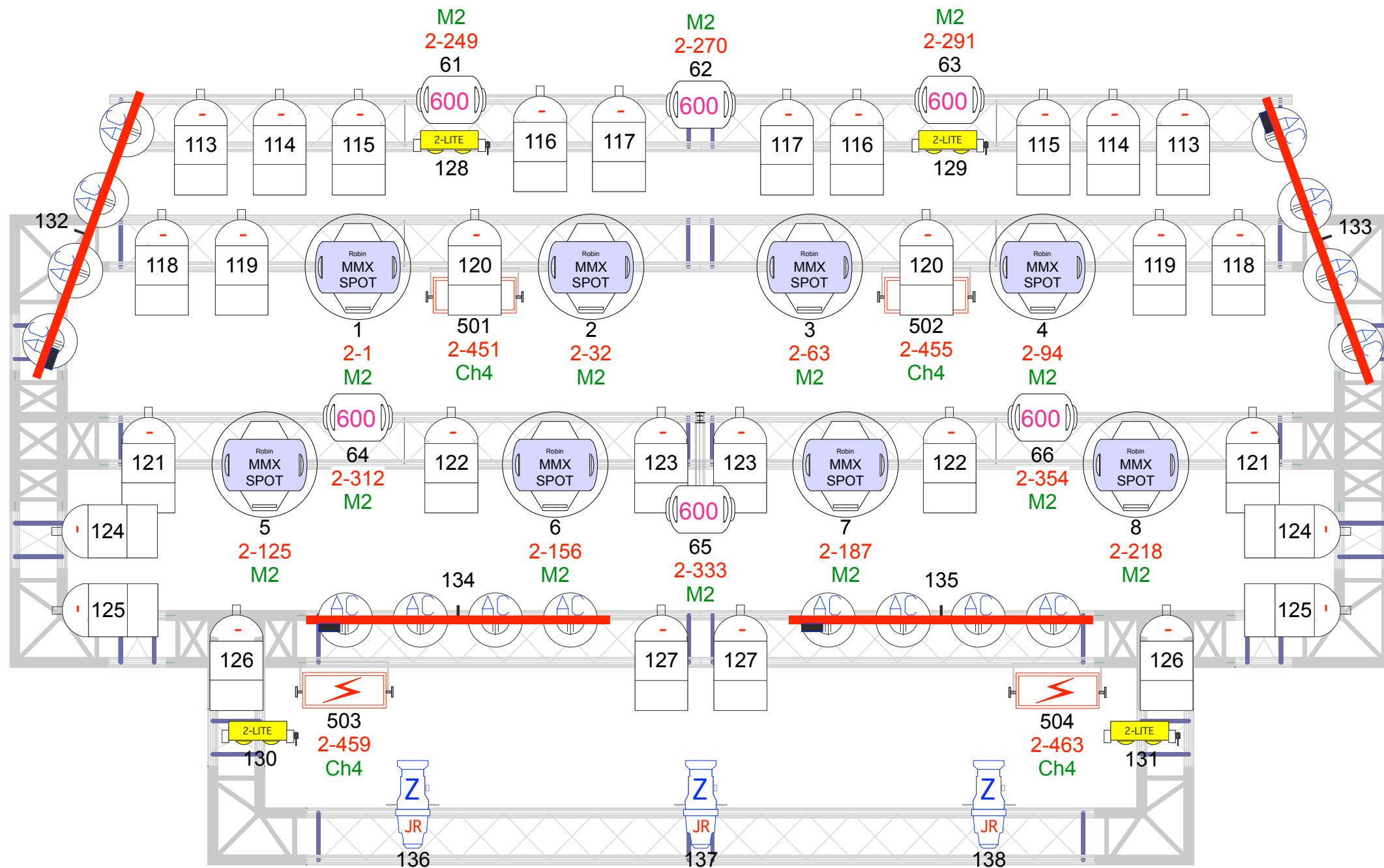


Second Hall - Stage



MovingLight: All Layers

Qty	Sym	Type	Mode
4x		STROBE ATOMIC 3000	Ch4
8x		ROBIN MMX SPOT	M2
6x		ROBIN 600 LED Wash	M2
6x		COLORCOMMAND	Ch4
1x		Color Power Max 12 Out	

Conventional: All Layers

Qty	Sym	Type
28x		PAR64 220 Black
4x		2Light Par36
4x		Fourbar ACL Black (1/2 Set)
3x		Source Four Profiel Junior ZOOM
6x		Profiel 1 Kw

Showdate: 09-2016 till 07-2017

Loadin: 29-08 till 02-09-2016

Loadout: 07-2017

Jobnumber:

Client:

Patronaat

Lighting Designer:

Lighting Department

Stage Designer:

Director:

Scale:

1:25

Papersize:

A3

File:

PT_KZ_2016_v01.wvx

Drawn by:

Lennart

Studio: Patronaat - Second Hall

Address: Zijlsingel 2, Haarlem

Printdate: 09-2016

Printed by: Lennart